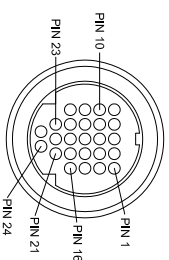
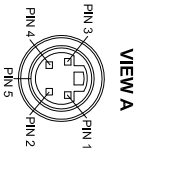


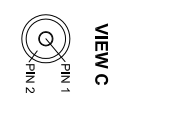
Rev/No	Revision note	Date	Signature	Checked
1	TOLERANCES ADDED	09/04/09	SM	DK
2	TRIGGER CABLES INCREASED TO 24 AWG FROM 22 AWG	24/04/09	SM	DK
3	ASSEMBLY PLANT NUMBER ADDED AT BOTTOM	16/03/10	SM	DK
4	CAMERA INPUT CONNECTOR PINOUT DETAIL CORRECTED	19/09/11	DK	BC



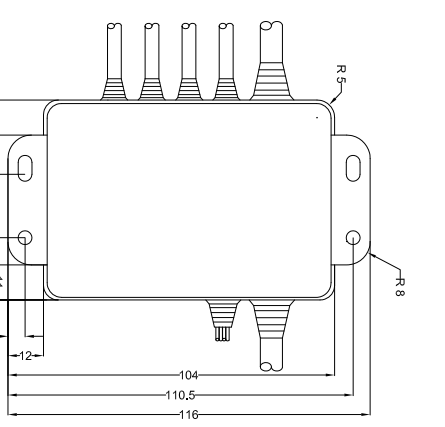
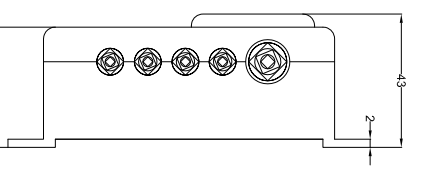
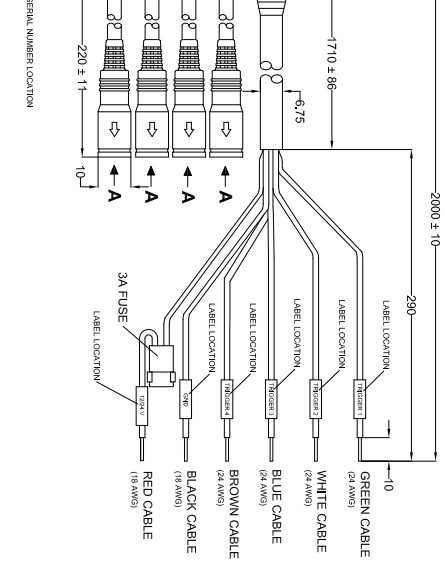
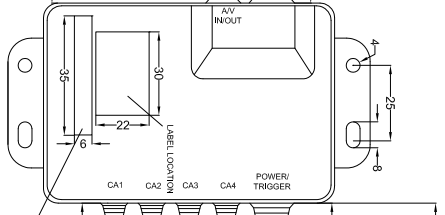
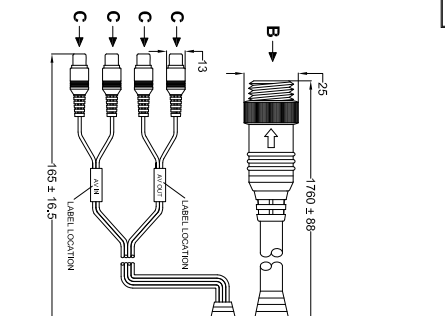
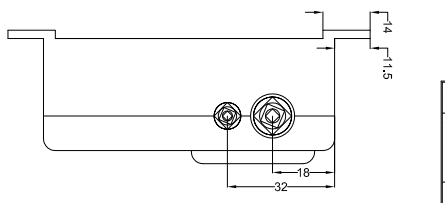
PIN #	WIRE COLOUR	DESCRIPTION
1	BROWN	TRIGGER 2
2	YELLOW	CAM CONTROL
3	WHITE	VIDEO
4	SHIELD	GROUND
5	SHIELD	GROUND
6	SHIELD	GROUND
7	SHIELD	GROUND
8	SHIELD	GROUND
9	SHIELD	GROUND
10	SHIELD	GROUND
11	GREEN	VIDEO OUT
12	PURPLE	CAM CONTROL
13	STRIPED	VIDEO
14	STRIPED	VIDEO
15	GREEN	TRIGGER 3
16	BROWN	ALMO 2
17	BROWN	ALMO 3
18	BROWN	CAM OUT
19	BROWN	CAM OUT
20	LEFT STRIPED	ALMO 1
21	WHITE	SHI
22	GREEN	SHI
23	BLACK	SHI
24	YELLOW	SHI
25	YELLOW	SHI
26	GREEN/BLACK	SHI



PIN #	WIRE COLOUR	DESCRIPTION
1	RED	ALMO
2	YELLOW	ALMO
3	WHITE	VIDEO
4	SHIELD	GROUND
5	SHIELD	GROUND



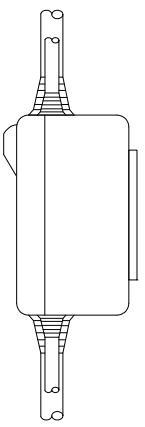
PIN #	WIRE COLOUR	DESCRIPTION
1	ALMO	ALMO
2	SHIELD	GROUND



- SPECIFICATIONS**
- 1) ALL LABELS SHOULD BE SILVER.
 - 2) ALL INK SHOULD BE PERMANENT BLACK.
 - 3) FONT USED ON LABELS SHOULD BE ARIAL BLACK.
 - 4) ALL TEXT PRINTED ON LABELS SHOULD BE 4MM.
 - 5) ALL STRIPED ENDS SHOULD BE TINNED.
 - 6) CONNECTOR GUIDES MUST LINE UP WITH ARROW.

NOTES:

DIMENSIONS IN MM
LABEL LOCATION: REF TO DRAWING BE-000746-00-09 (BE-970-CA_(A3104)_PROD-LBL)



ASSEMBLY PLANT REF: STM-704Q CABLE ASS

PROPRIETARY NOTICE
 THIS DESIGN AND TECHNICAL INFORMATION APPEARING ON THIS DRAWING IS THE PROPERTY OF BRIGADE ELECTRONICS P.L.C. AND IS DISCLOSED IN CONFIDENCE. IT IS NOT TO BE COPIED, REPRODUCED, REVEALED TO OR APPROPRIATE BY OTHERS, EITHER IN WHOLE OR IN PART WITHOUT THE EXPRESS WRITTEN CONSENT OF BRIGADE ELECTRONICS P.L.C.

Item#	Quantity	Title/Name, designation, material, dimension etc	Article No./Reference
Designed by	Checked by	Approved by - date	Filename
MOUTLER	DKRAN		24/03/09
BRIGADE ELECTRONICS		BE-970 CA (A3104)	
		BE-000732-04-09	
Edition	Sheet		
D	1/1		